

250 psi CWP Iron Body Check Valves

Fire Protection Valve • UL Listed FMRC Approved •
Double-Door • Wafer Style • Rubber Seat • Spring Actuated

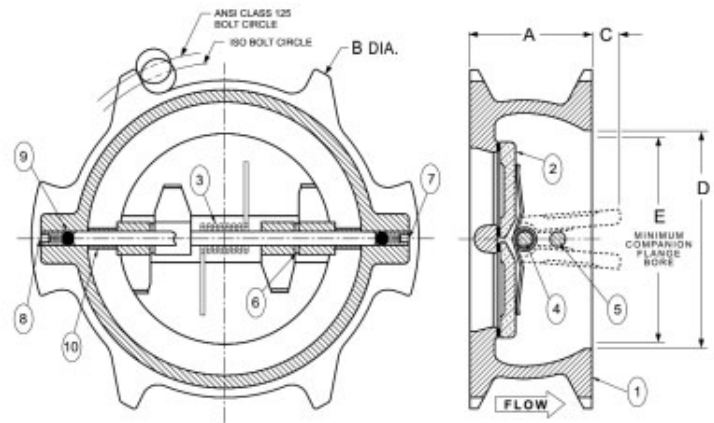
UL/ULC LISTED • FMRC APPROVED

MATERIAL LIST

PART	SPECIFICATION
1. Body	Ductile Iron ASTM A 536, Grade 65-45-12with Buna-N Resilient Seat Molded to Body
2. Disc	Bronze ASTM B 584 Alloy C83600
3. Torsion Spring	Stainless Steel
4. Hinge Pin	Stainless Steel
5. Stop Pin	Stainless Steel
6. Thrust Bearing	Stainless Steel
7. Hinge Pin Retainer	Steel
8. Stop Pin Retainer	Steel
9. Stabilization Sphere	Buna-N
10. Spacer	Nylon 6



KW-900-W
Wafer Style



DIMENSIONS—WEIGHTS—QUANTITIES

Size	Dimensions										Weight		
	A		B		C		D		E		C/V	Lbs.	Kg.
In. mm.	In.	mm.	In.	mm.	In.	mm.	In.	mm.	In.	mm.			
2½ 65	2.38	60	6.00	152	.125	3	3.50	89	1.313	33	108	4.3	1.95
3 80	2.63	67	5.63	143	.188	5	3.875	98	1.688	43	178	6.1	2.77
4 100	2.63	67	7.75	197	.625	16	4.75	121	3.063	78	440	8.8	3.99
5 125	3.25	83	7.56	192	.813	21	5.5	140	3.625	92	560	13.0	5.90
6 150	3.75	95	8.63	219	.813	21	6.25	159	4.25	108	840	18.0	8.16
8 200	5.00	127	12.25	311	1.000	25	8.00	203	5.50	140	1600	37.0	16.78
10 250	5.50	140	14.75	375	2.125	54	10.12	257	8.50	216	2700	65.0	29.48
12 300	7.13	181	17.38	441	1.938	49	12.00	305	9.25	235	4700	94.0	42.64
14 350	7.25	184	17.75	451	3.25	83	—	—	13.00	330	5200	200.0	90.75
16 400	7.50	191	20.25	514	4.50	114	—	—	15.00	381	7200	285.0	129.28

NOTE: 14" and 16" sizes, 150 PSI WWP, FM approved only – P.O.A.

FEATURES

- Spring loaded for fast closure, eliminating reverse flow slam and water hammer.
- Easily installed, with gasket, between standard class 125 flanges.
- Only one set of flange studs is needed.
- May be installed in both horizontal and vertical lines with upward flow.



NOTE: Twin Disc Check Valves can be installed horizontally or in the vertical position with flow up.

CAUTION: For horizontal flow applications, the valve must be installed with disc hinge pin in the vertical position to insure proper operation.

WARNING:

1. These are not to be used as steam valves
2. Valves are not to be used near a reciprocating air compressor
3. Install 5 pipe diameters minimum downstream from pump discharge or elbows to avoid flow turbulence. Flow straighteners may be required in extreme cases.

NOTE: On pump discharge, the preferred check valves are in-line spring loaded, swing design with lever and weight or lever and spring.