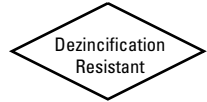


250 lb WWP Bronze Ring Check® Valves

Fire Protection Valve • Inline Lift Type • Rubber Discs • Spring Actuated



250 PSI/17.2 Bar Non-Shock Cold Working Pressure¹³

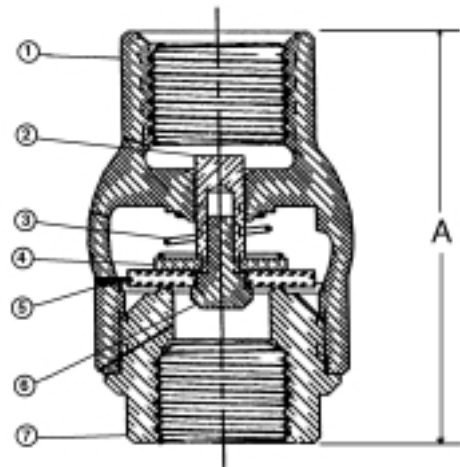
CONFORMS TO MSS SP-80

MATERIAL LIST

PART	SPECIFICATION
1. Body	Bronze ASTM B 584 Alloy C84400
2. Stem	Stainless Steel ASTM A 582 Alloy C30300
3. Spring	316 Stainless Steel
4. Disc Holder	Stainless Steel Type 301
5. Disc	Water, Oil or Gas (Buna-N)
6. Seat Screw	Stainless Steel ASTM A 276 Alloy S43000
7. Body End	Bronze ASTM B 584 Alloy C84400



T-480
Threaded



T-480
NPT x NPT

DIMENSIONS—WEIGHTS—QUANTITIES

Size	Dimensions						T-480		Master Ctn. Qty.
	A		B		C		In.	In.	
In. mm.	In.	mm.	In.	mm.	In.	mm.	In.	In.	
3/8 10	2.00	51	1.38	35	1.44	37	0.41	0.19	100
1/2 15	2.06	52	1.38	35	1.19	30	0.36	0.16	100
3/4 20	2.25	57	1.63	41	1.31	33	0.48	0.22	100
1 25	2.63	67	2.00	51	1.50	38	0.77	0.35	50
1 1/4 32	2.94	75	2.38	60	1.69	43	1.14	0.51	30
1 1/2 40	3.31	84	2.75	70	2.00	51	1.63	0.74	30
2 50	3.69	94	3.38	86	2.31	59	2.27	1.03	10

Ordering: The T-480 has standard Buna-N Discs.
Also available with TFE (Y) Discs; specify T-480-Y.
3/8" thru 2" require 1/2 pound pressure to open.

NIBCO check valves may be installed in both horizontal and vertical lines with upward flow or in any intermediate position.

WARNING - Valve must be installed downstream of receiver tank if used in line with reciprocating air compressor.

Do Not Use as a Footvalve.

Warning - Do Not Use For Reciprocating Air Compressor Service.